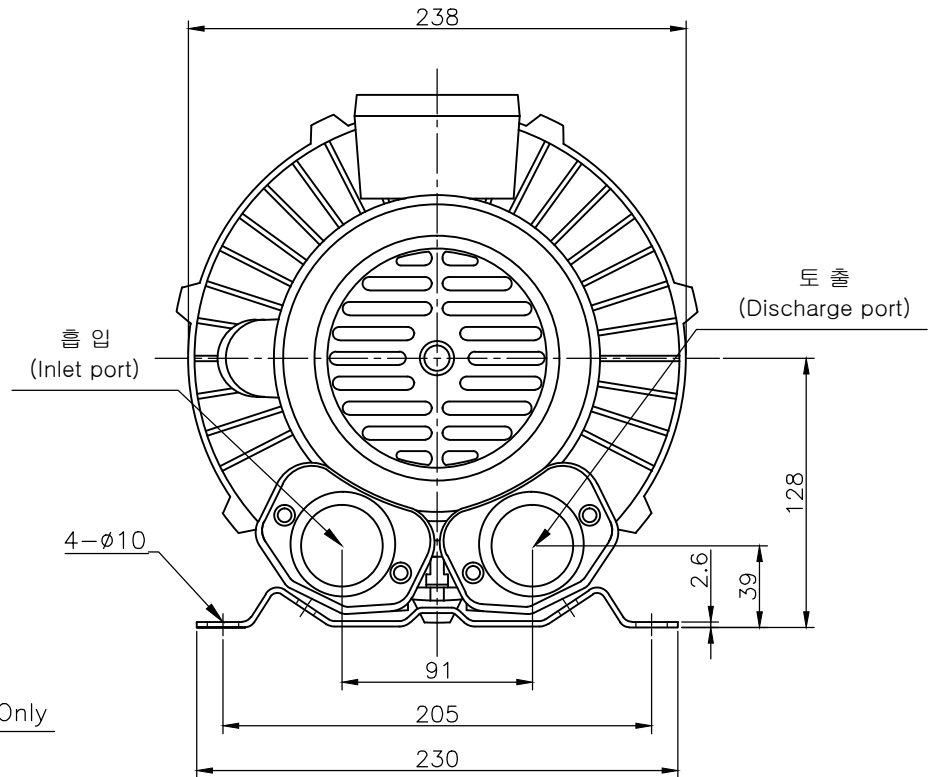
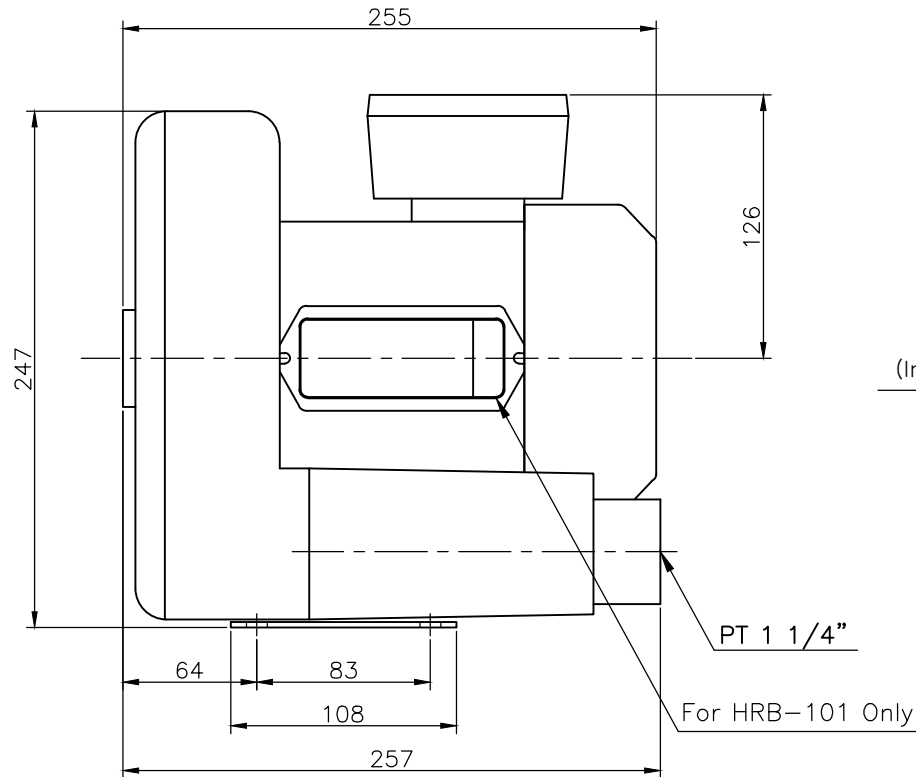


NOTE 1)

PHASE	OUTPUT	POLE	VOLT	AMP	WEIGHT
1 Φ	0.4 Kw	2 P	220 V	4.5 A	14 Kg



회주철품 구조		두께		절삭 가공		치수 구분		정밀급	보통급	형식 TYPE	HRB-101	도명 TITLE	OUTLINE DWG			
치수 구분	허용차	치수 구분	허용차	0 - 6	± 0.05	± 0.1	0 - 6	± 0.05	± 0.1	DRAWN	DESIGN	CHECKED	APPROVED	3RD ANGLE	SCALE:1/NS	UNIT:mm
0 - 120	± 1.5	0 - 10	± 1.5	6 - 30	± 0.1	± 0.2	6 - 30	± 0.1	± 0.2	B.S.Kim				SIZE	1 Φ 2P 0.4Kw	
120 - 250	± 2.0	10 - 18	± 2.0	30 - 120	± 0.15	± 0.3	30 - 120	± 0.15	± 0.3	09.06.25				DWG. No.	BOD00117	
250 - 400	± 3.0	18 - 30	± 3.0	120 - 315	± 0.2	± 0.5	120 - 315	± 0.2	± 0.5	黃海電機 HWANG HAE ELECTRIC		도번	BOD00117			
400 - 500	± 4.0	30 - 50	± 3.5	315 - 1000	± 0.3	± 0.6	315 - 1000	± 0.3	± 0.6							
500 - 1800	± 6.0			1000 - 2000	± 0.5	± 1.2	1000 - 2000	± 0.5	± 1.2							
				2000 - 3150	± 0.8	± 1.6	2000 - 3150	± 0.8	± 1.6							

No.	Revision	Date	Draw	Check	Appr.

00					
09.06.25					
00					
00					